

BIONIC BUSTER

TO TURN PETER INTO A BIONIC BUSTER, YOU WILL NEED: SOME TRACING PAPER, THIN CARD, SCISSORS, A BLUNT PENCIL, A PAPER FASTENER AND SOME COLORED PENCILS OR PEN

CAREFULLY TRACE THE OUTLINE OF PETER'S BODY AND LEGS. LAY THESE ONTO YOUR THIN CARD, DRAW ROUND THEM AND THEN CUT THEM OUT. DRAW AND COLOUR YOUR PETER TO MATCH THE ONE PICTURED HERE.







MAKE HOLES IN THE POSITIONS INDICATED ON EACH PIECE AND LINE UP THE TWO HOLES, WITH PETER'S LEGS BEHIND HIS BODY. FASTEN THE TWO SECTIONS TOGETHER USING THE PAPER FASTENER. THEN ALL THAT'S LEFT TO DO IS TO GIVE PETER'S LEGS A SPIN AND WATCH HIM CHASE DOWN SLIMER!

GH**STBUSTERS**
PARANORMAL ACTIVITY BOOK



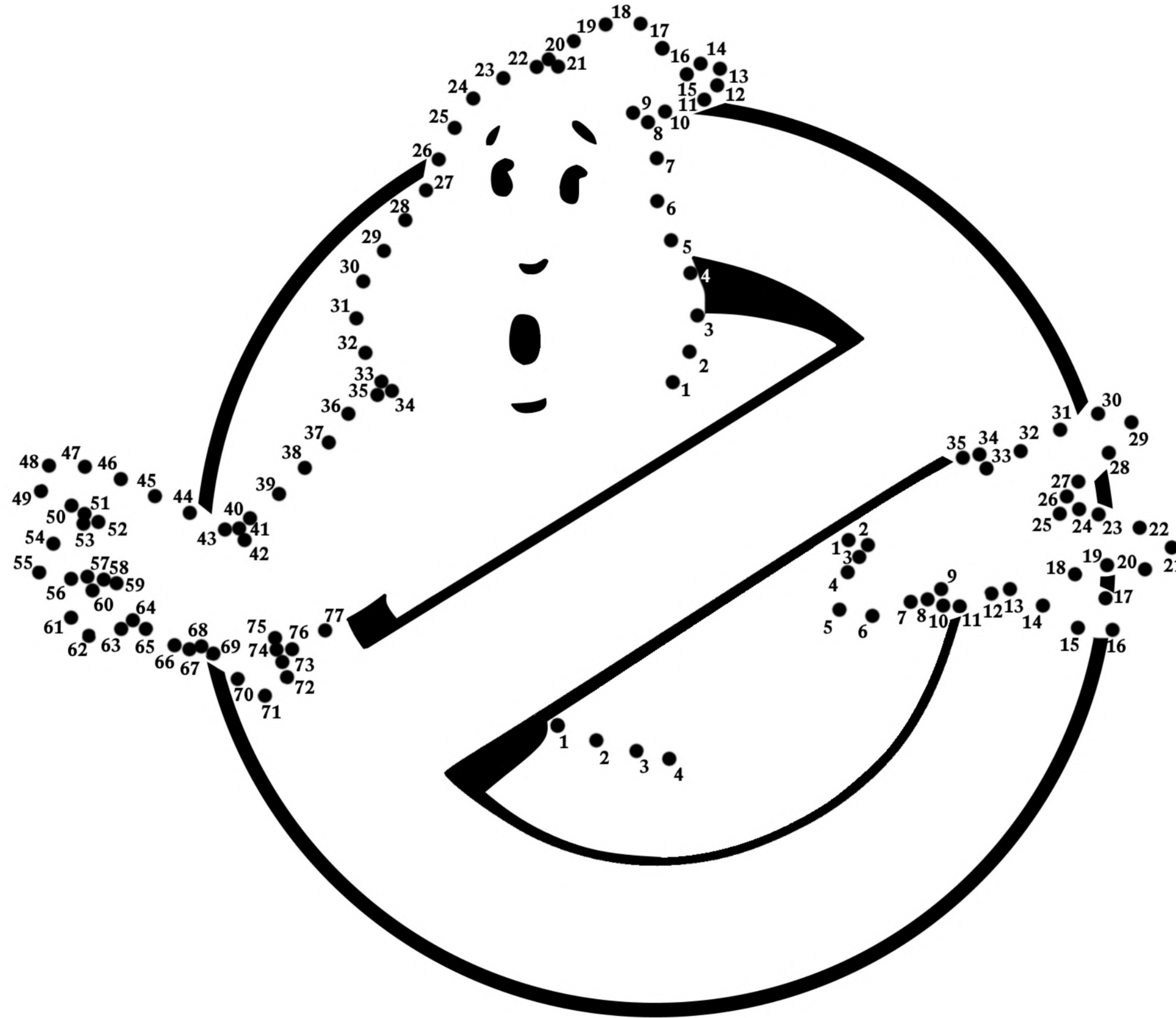
MAKE YOUR OWN SLIMER MASK!

YOU WILL NEED: A BLUNT PENCIL, STRING, SCISSORS AND AN ADULT
INSTRUCTIONS

-  CUT ALONG THE DOTTED LINES.
-  PIERCE THE 4 DOTTED HOLES WITH YOUR BLUNT PENCIL
-  FEED THE ENDS OF YOUR STRING THROUGH EACH OF THE SIDE HOLES AND TIE A KNOT IN BOTH ENDS
-  PUT YOUR SLIMER MASK ON, AND BE CAREFUL NOT TO GET TRAPPED BY A GHOSTBUSTER!

GH**OST**BUSTERS

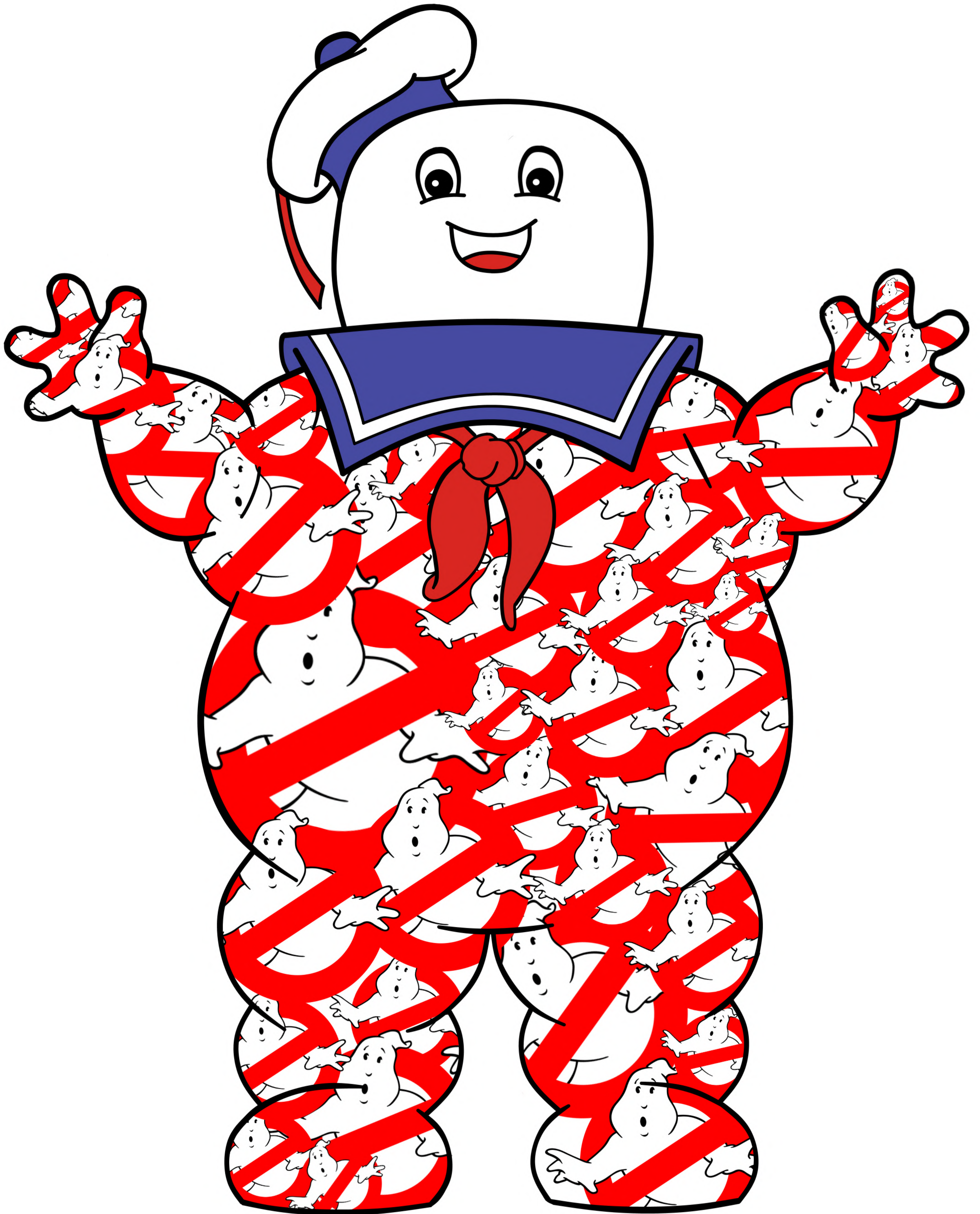
PARANORMAL ACTIVITY BOOK



CONNECT THE DOTS AND COLOR IN THE FAMOUS GHOSTBUSTERS LOGO

GH**OST**BUSTERS

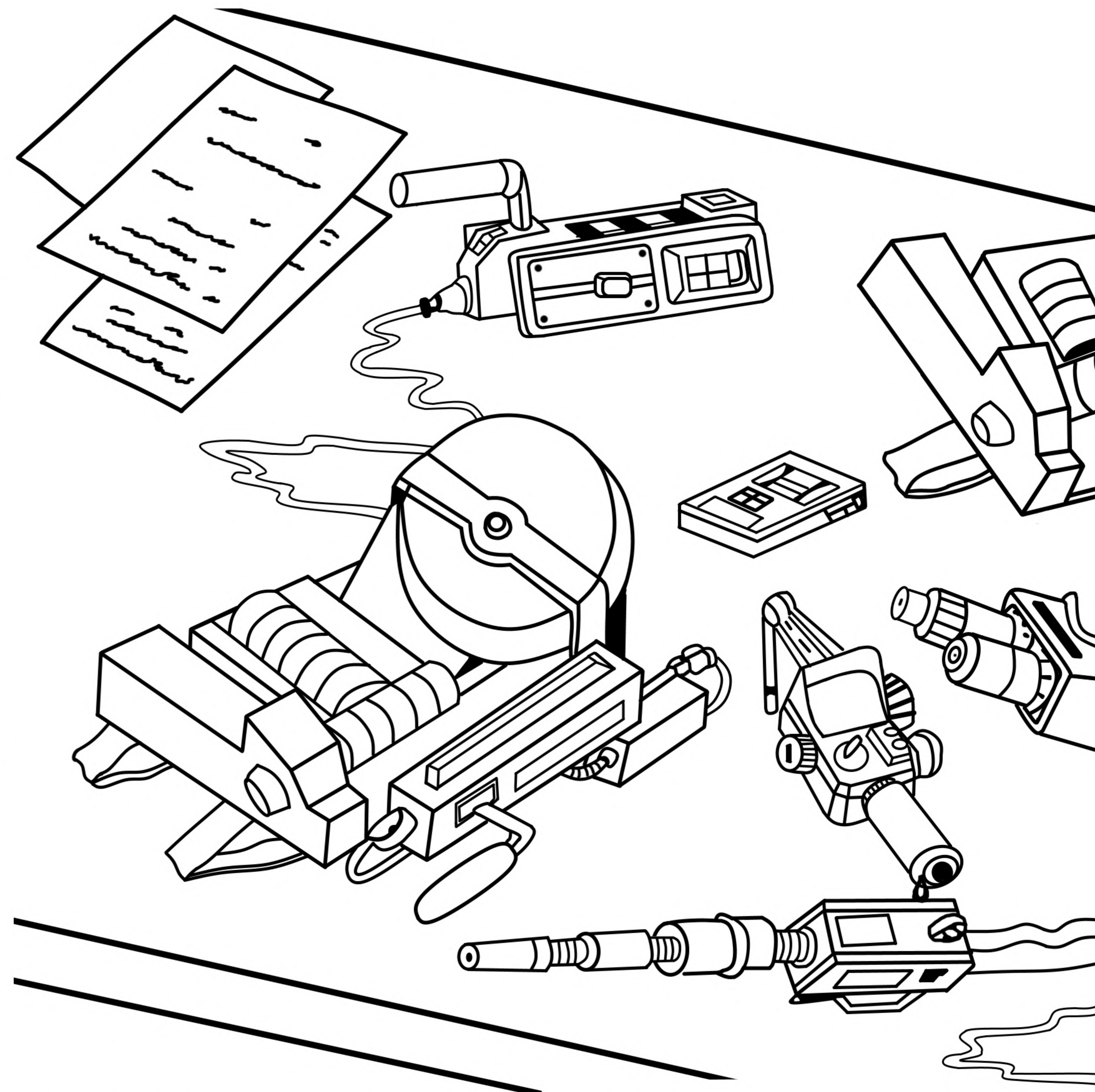
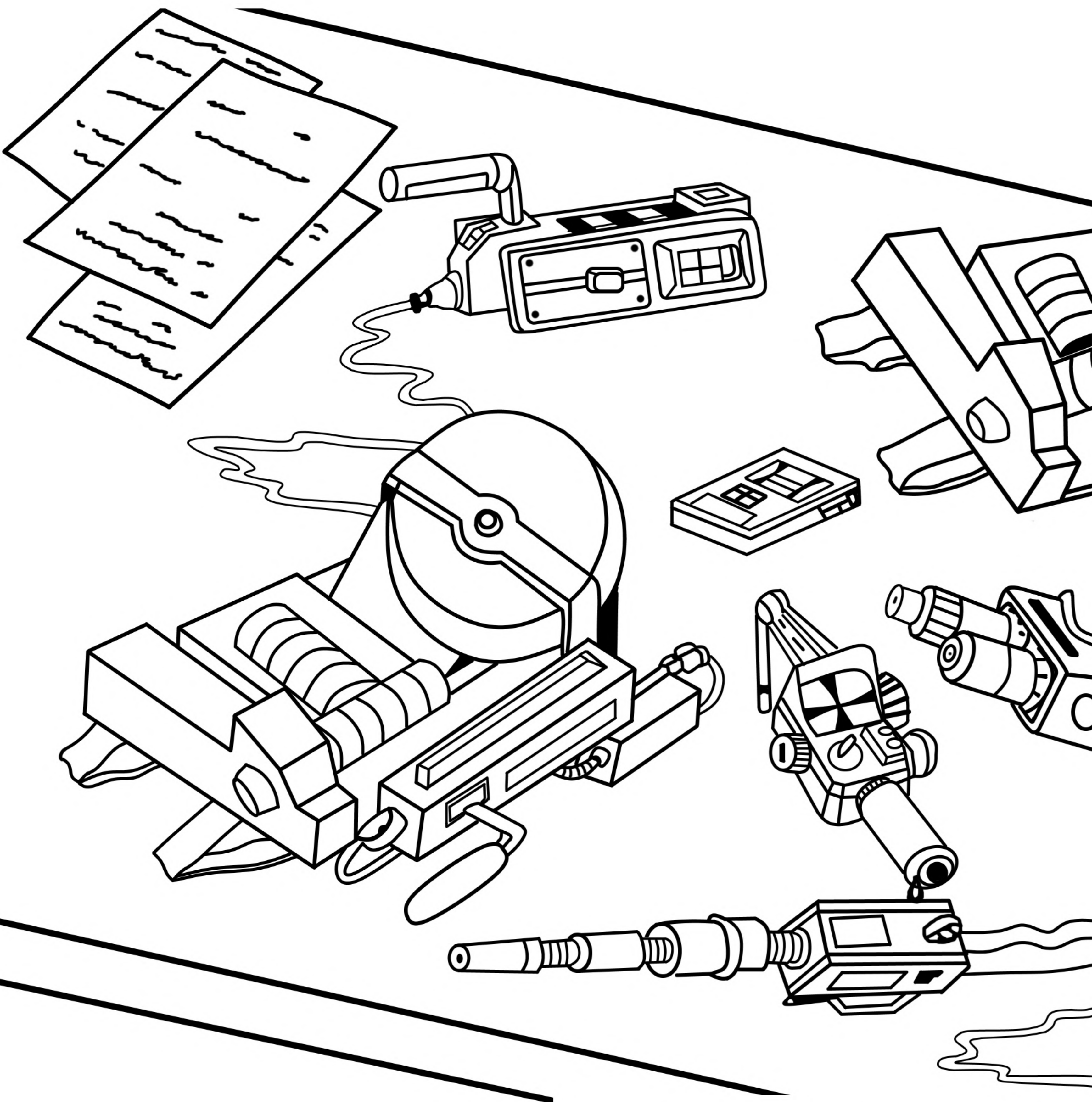
PARANORMAL ACTIVITY BOOK



**HOW MANY GHOSTBUSTERS LOGOS ARE STUCK
INSIDE THE STAY PUFT MARSHMALLOW MAN?**

GH**OST**BUSTERS

PARANORMAL ACTIVITY BOOK



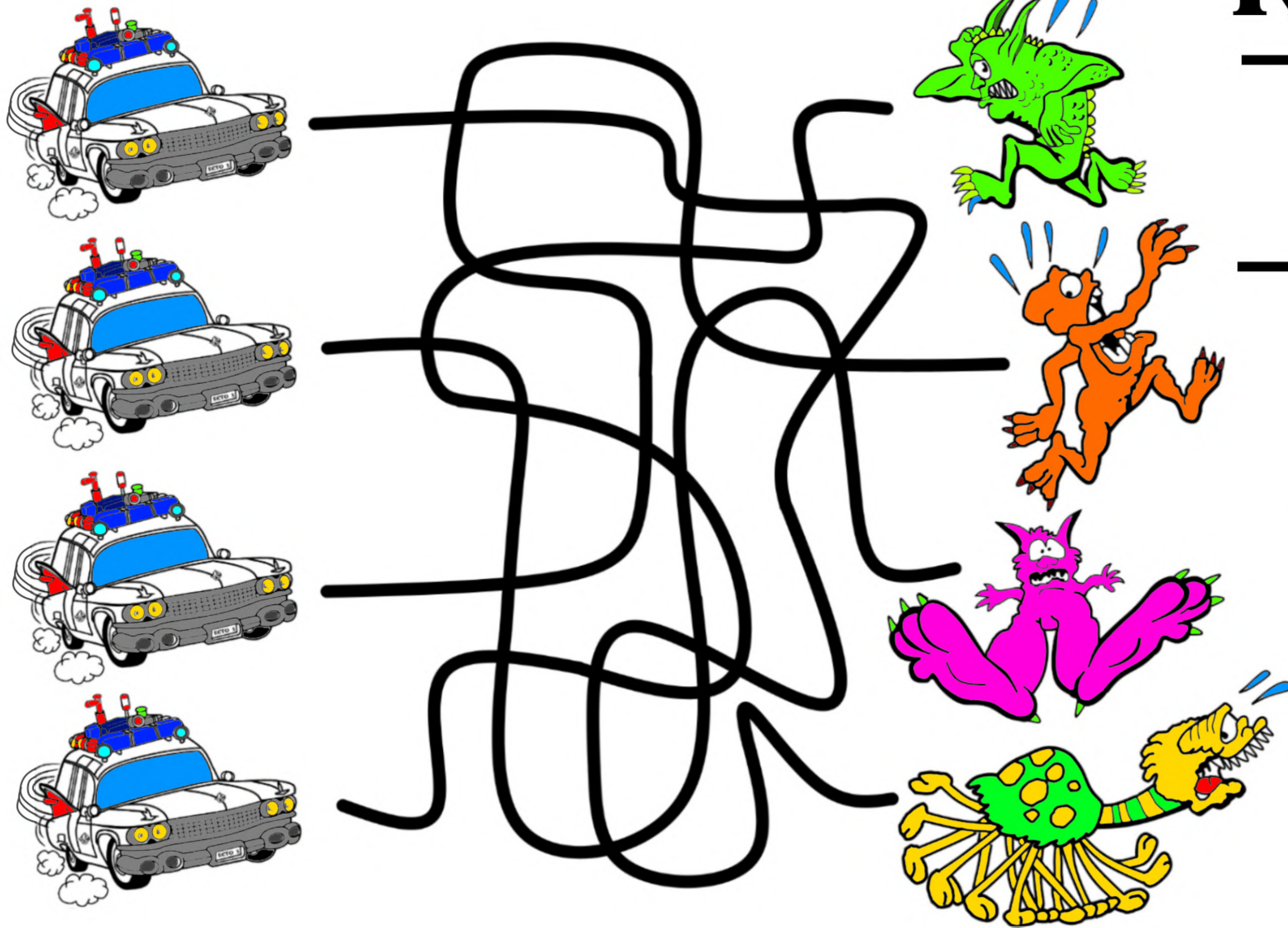
**CAN YOU SPOT THE DIFFERENCES BETWEEN THESE TWO PICTURES?
FIND ALL SIX AND THEN COLOR IN THE GHOSTBUSTERS' EQUIPMENT**

GH~~OST~~BUSTERS

PARANORMAL ACTIVITY BOOK

USE ECTO-1 TO TRACK
DOWN THOSE PESKY GHOSTS

CAN YOU UNJUMBLE THESE WORDS
AND REVEAL THE NAMES OF SOME
GHOSTBUSTIN' EQUIPMENT?



R O P T N O C A P K
_ _ _ _ _ _ _ _ _ _

_ _ _ _ _ _ _ _ _ _

S T O G H P A T R
_ _ _ _ _ _ _ _ _ _

_ _ _ _ _ _ _ _ _ _

K E P T E M R E
_ _ _ _ _ _ _ _ _ _

_ _ _ _ _ _ _ _ _ _

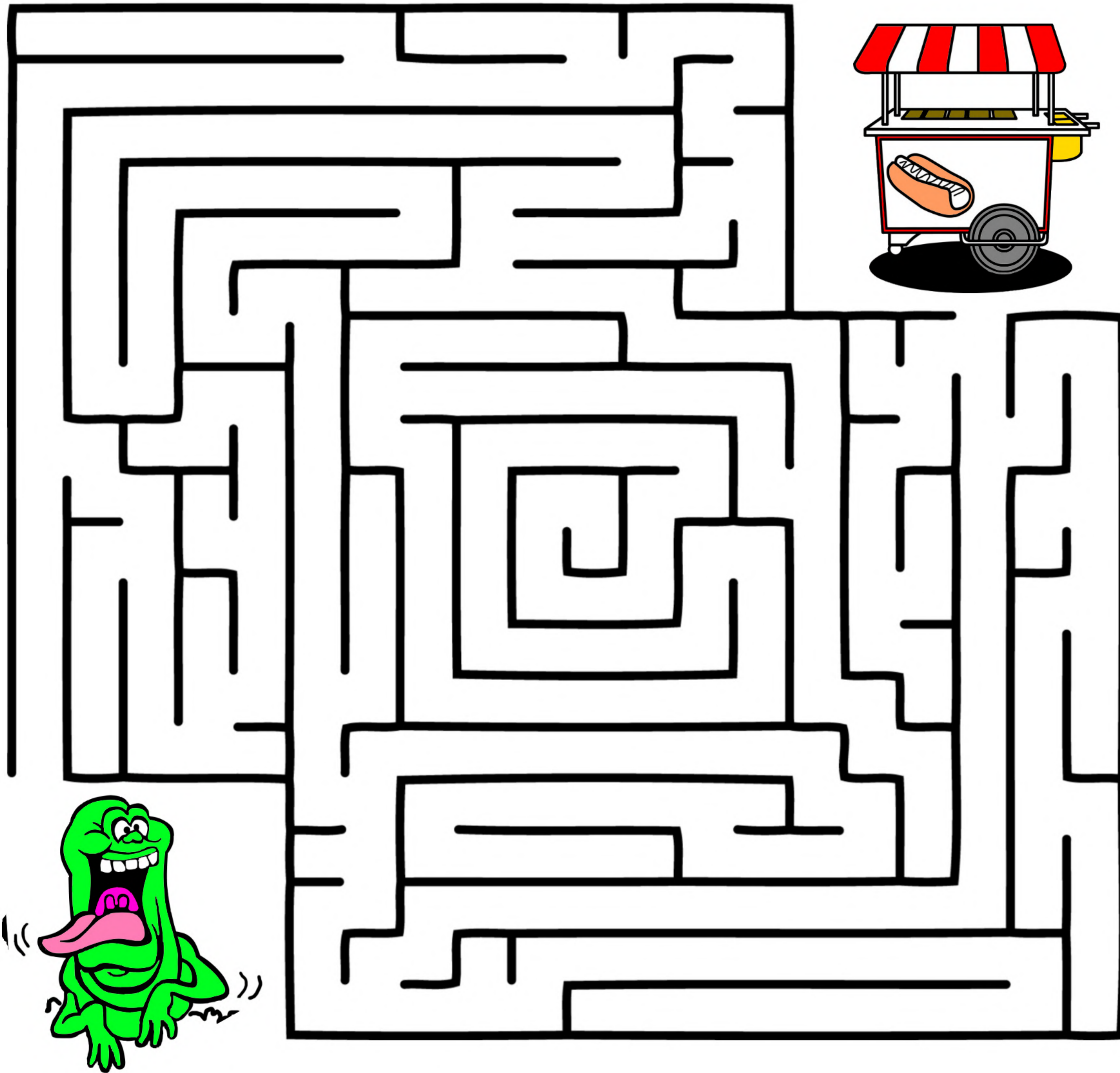
_ _ _ _ _ _ _ _ _ _

GH~~OST~~BUSTERS

PARANORMAL ACTIVITY BOOK

SPOOKTASTIC WORDSEARCH

EGON GHOST SLIMER STAY PUFT
STANTZ ECTO MOBILE TRAP GOZER



S	L	I	M	E	R	O	P	E	T
A	T	Z	U	R	A	N	U	N	E
H	O	A	N	O	G	H	O	S	T
I	N	S	Y	A	O	I	M	A	O
M	P	I	A	P	L	N	O	M	E
A	U	S	F	I	U	R	W	I	L
N	R	O	N	S	L	F	A	N	I
Z	T	N	A	T	S	O	T	U	B
U	H	M	O	R	E	Z	U	N	O
T	R	A	P	T	Y	E	A	S	M
I	A	S	I	C	N	G	S	H	O
G	O	Z	E	R	W	O	U	S	T
O	S	I	M	A	E	N	Y	A	C
F	T	P	U	F	G	I	S	O	E

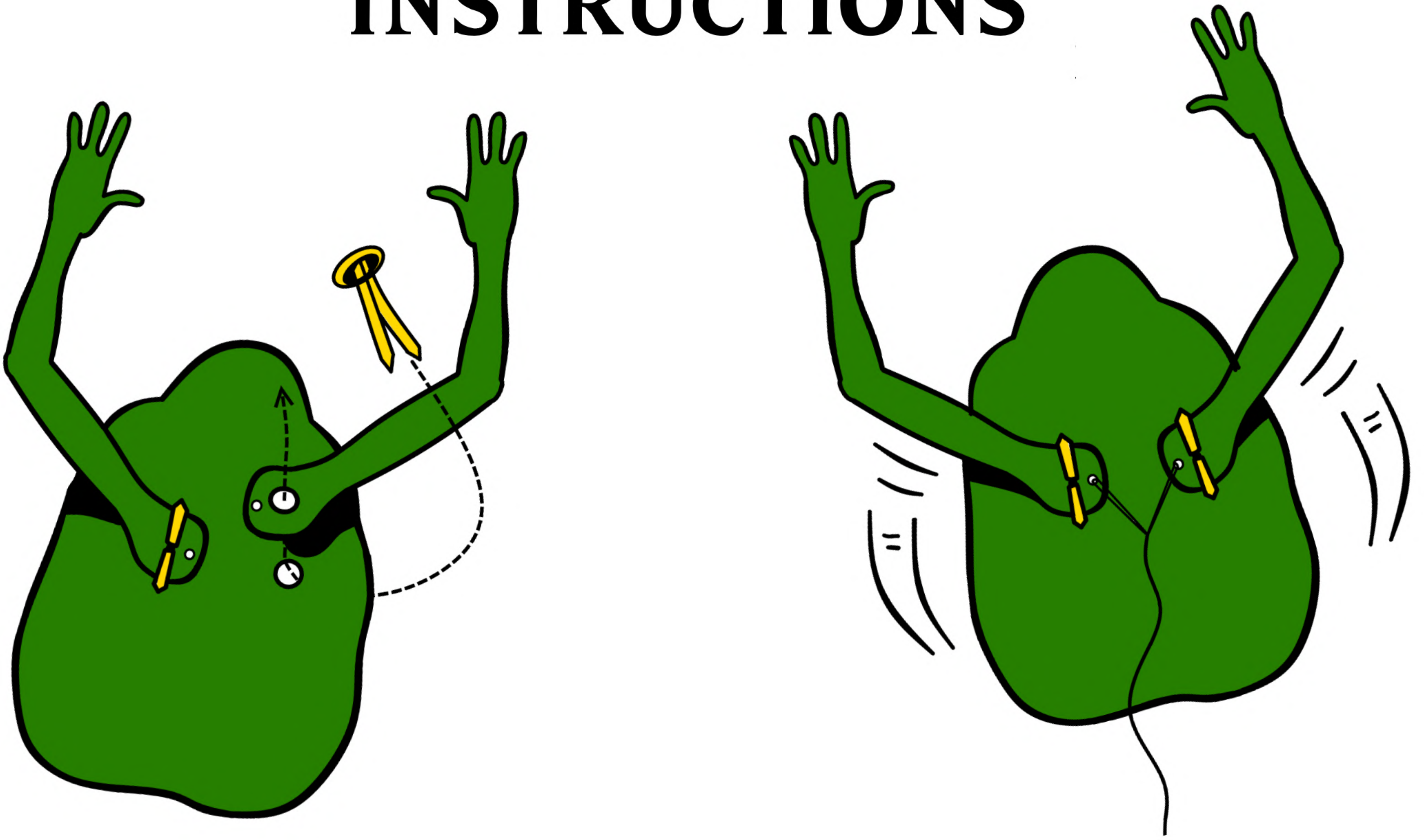
HELP A HUNGRY SLIMER THROUGH THE MAZE TO THE HOT DOG CART.

GH**OST**STBUSTERS

PARANORMAL ACTIVITY BOOK



INSTRUCTIONS



1. TRACE THE OUTLINE OF SLIMER'S BODY AND ARMS CAREFULLY, MARKING THE POSITIONS OF THE HOLES.
2. CUT OUT YOUR SLIMER AND HIS ARMS
3. PLACE THESE TEMPLATES ON TO YOUR CARD AND DRAW ROUND THEM.
5. DRAW IN SLIMER'S FEATURES AND COLOR HIM IN SLIME GREEN!
CAREFULLY MAKE HOLES IN THE AREAS YOU'VE ALREADY MARKED OUT (YOU MIGHT LIKE TO ASK AN ADULT FOR HELP!).
6. LINE UP THE TWO LARGE HOLES IN SLIMER'S ARMS WITH THE HOLES IN HIS BODY AND FASTEN THEM WITH THE PAPER FASTENERS, ALLOWING THE ARMS TO MOVE FREELY.
7. THREAD A SHORT PIECE OF STRING BETWEEN THE SMALL HOLES IN SLIMER'S ARMS AND TIE A KNOT, LEAVING ENOUGH ROOM FOR HIS ARMS TO MOVE.
8. TIE A LARGER PIECE OF STRING TO THE CENTRE OF THE SHORTER PIECE AS SHOWN. GENTLY PULL THE STRING AND WATCH SLIMER SCARE YOUR FRIENDS.



BECOME A REAL GHOSTBUSTER!



THE REAL GHOSTBUSTERS ID CARD

NAME

ADDRESS

PHONE NUMBER

INSTRUCTIONS

YOU'LL NEED: SCISSORS, A GLUE STICK, A PEN OR PENCIL AND AN ADULT

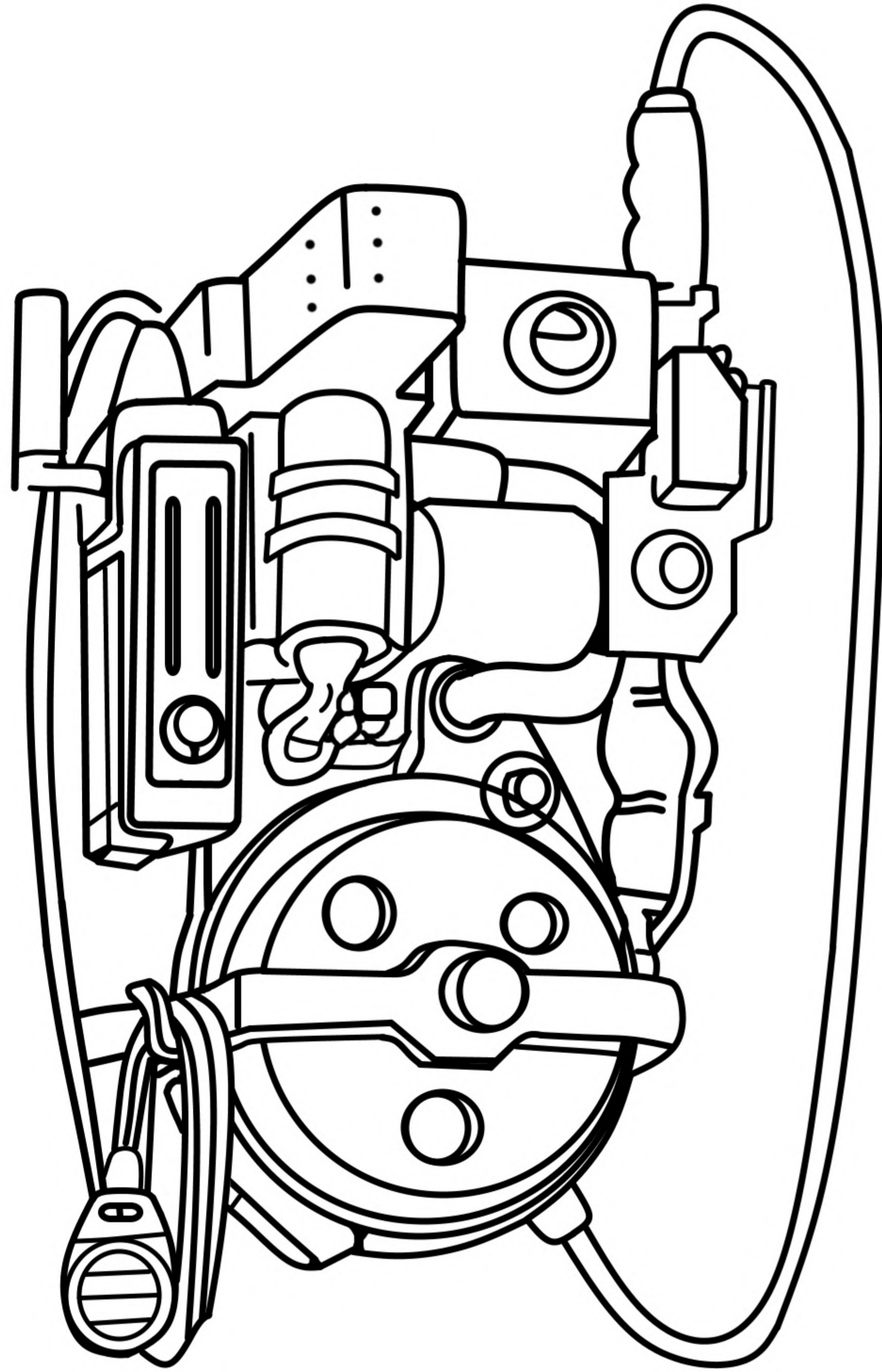
1. CAREFULLY CUT OUT YOUR REAL GHOSTBUSTERS IDENTIFICATION CARD.
2. FOLD THE TWO SIDES TOGETHER, USING THE DOTTED LINE THROUGH THE MIDDLE.
3. GLUE BOTH SIDES TOGETHER WITH YOUR GLUE STICK.
4. FILL OUT YOUR DETAILS AND BOOM! YOU'RE NOW A CARD CARRYING MEMBER OF THE REAL GHOSTBUSTERS. WELCOME ABOARD!

GH**OST**BUSTERS

PARANORMAL ACTIVITY BOOK

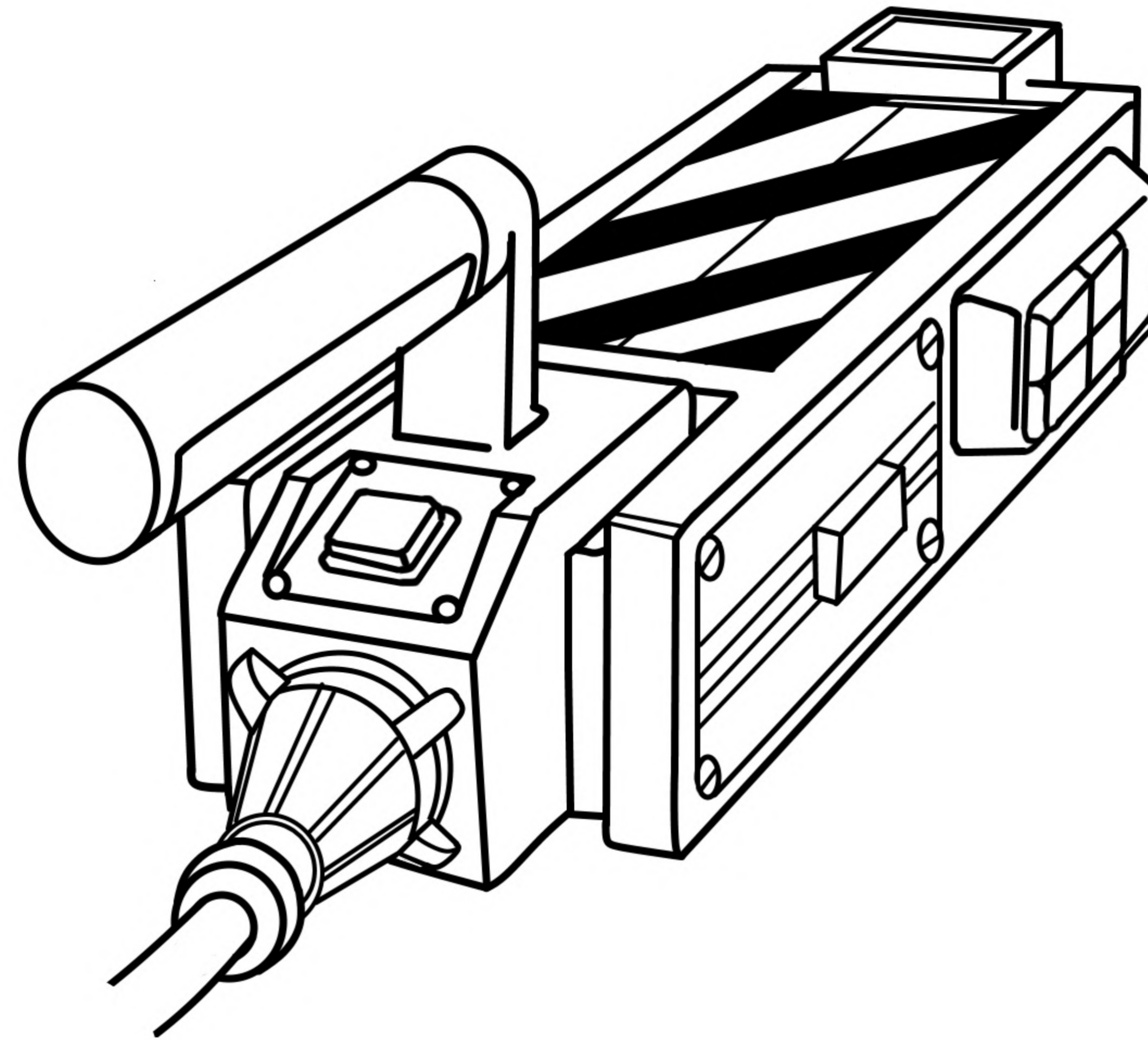
EQUIPMENT GUIDE

CAN YOU NAME THESE PIECES OF GHOSTBUSTERS EQUIPMENT?
COLOR THEM IN AND WRITE YOUR ANSWERS BELOW



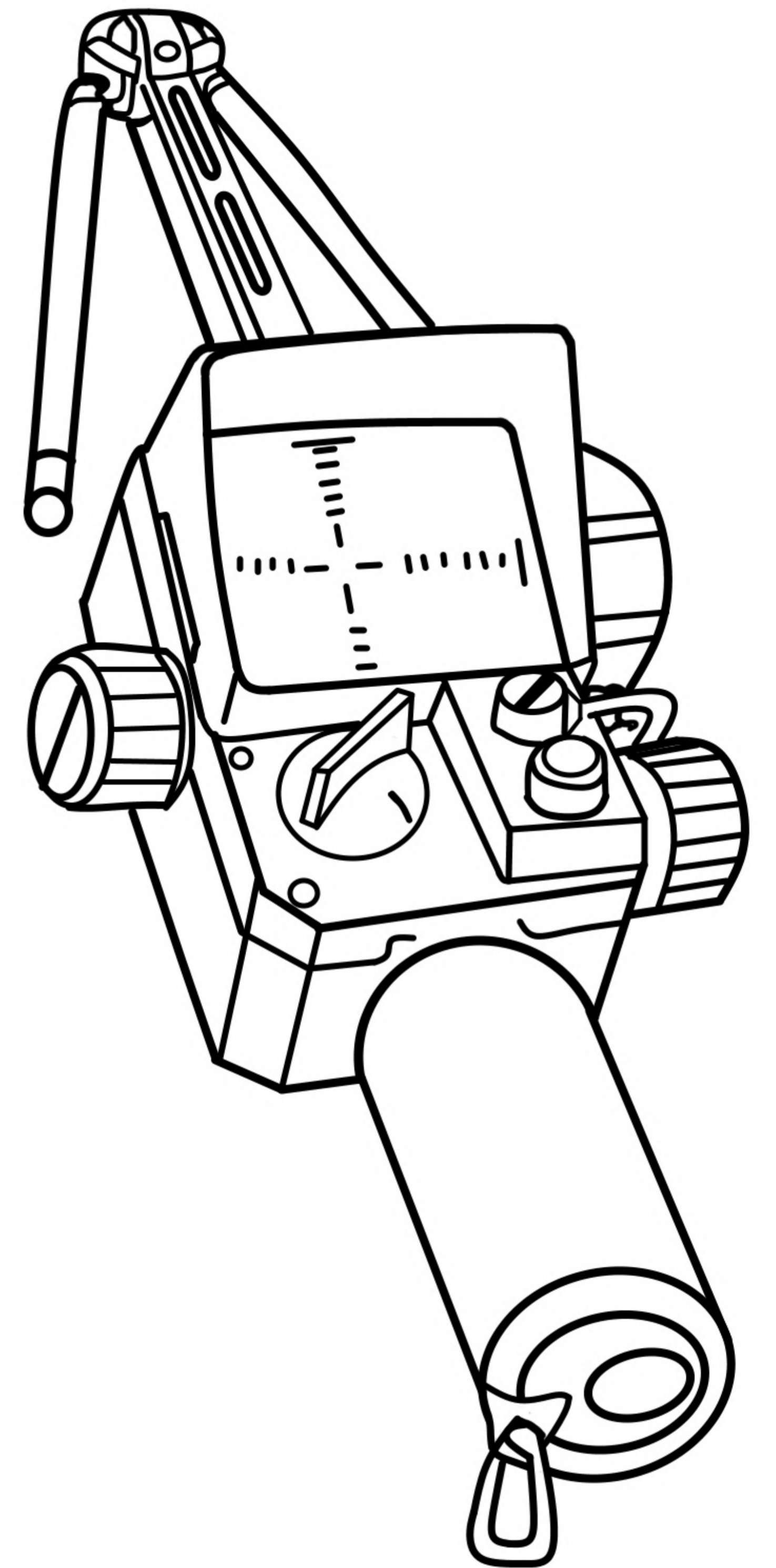
A. -----

B. -----



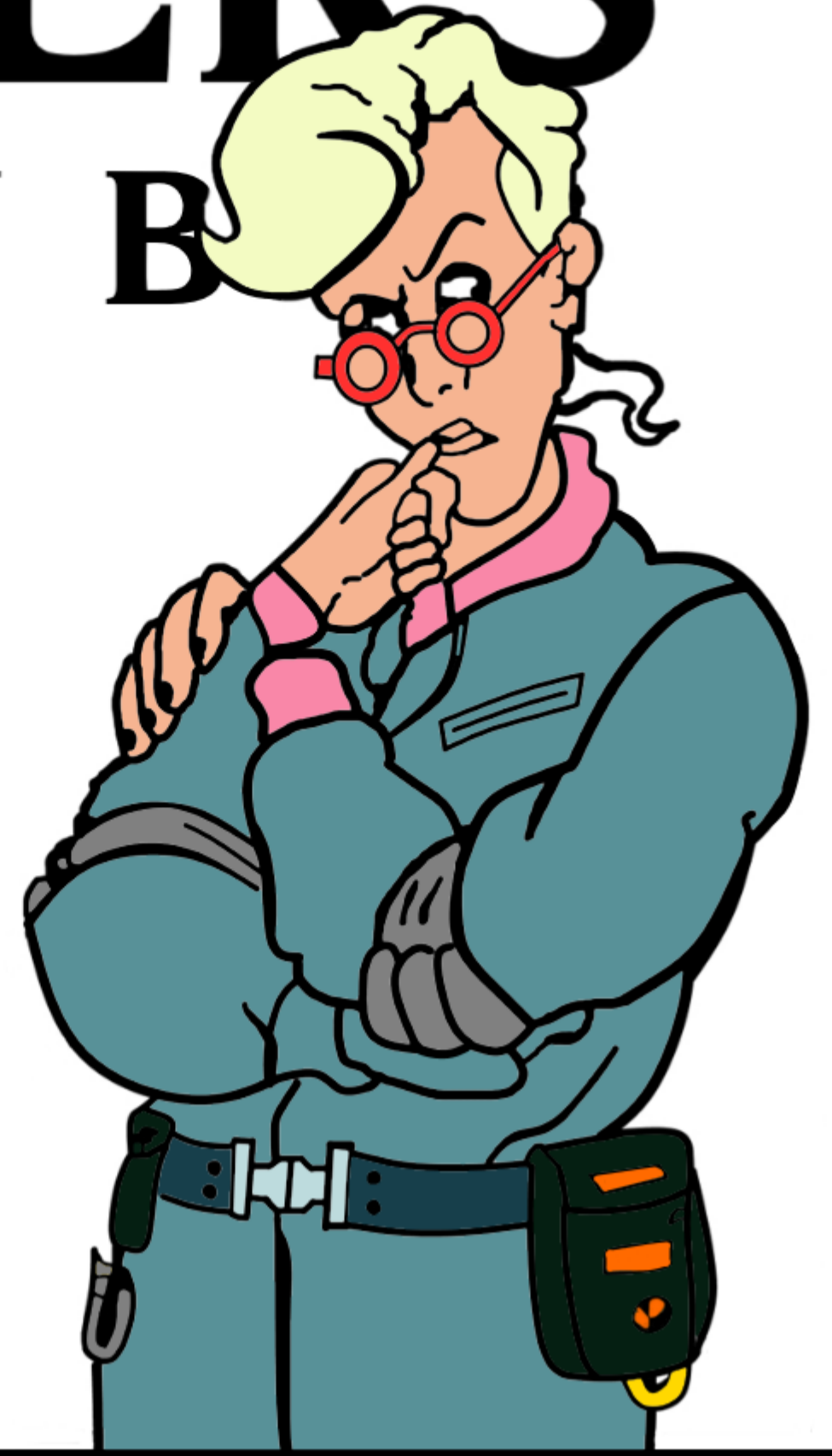
GH👻**STBUSTERS**
PARANORMAL ACTIVITY BOOK

C. -----



GH~~OST~~BUSTERS

PARANORMAL ACTIVITY B



**DR. EGON SPENGLER NEEDS
YOUR HELP TO SOLVE
THESE MATH PROBLEMS**

$80-20=$	$40+30=$
$95-10=$	$54+10=$
$45-20=$	$25+11=$
$70-25=$	$91+5=$
$81-10=$	$40+4=$
$76-26=$	$37+7=$
$40-12=$	$100+10=$
$72-25=$	$55+25=$
$25-20=$	$37+20=$
$60-10=$	$50+20=$

GH**OST**STBUSTERS

PARANORMAL ACTIVITY BOOK

**FILL IN THE MISSING
LYRICS TO COMPLETE THE SONG**

*IF THERE'S SOMETHING STRANGE
IN YOUR _____*

*WHO YOU _____ CALL?
GHOSTBUSTERS!*



*IF THERE'S SOMETHING WEIRD
AND IT _____ LOOK _____*

*WHO YOU GONNA CALL?
GHOSTBUSTERS!*

*I AIN'T AFRAID OF NO _____
IF YOU'RE SEEING THINGS
RUNNING _____ YOUR HEAD*

*WHO CAN YOU CALL?
GHOSTBUSTERS!*



*AN _____ MAN
SLEEPIN' IN YOUR _____
WHO YOU GONNA CALL?
GHOSTBUSTERS!*

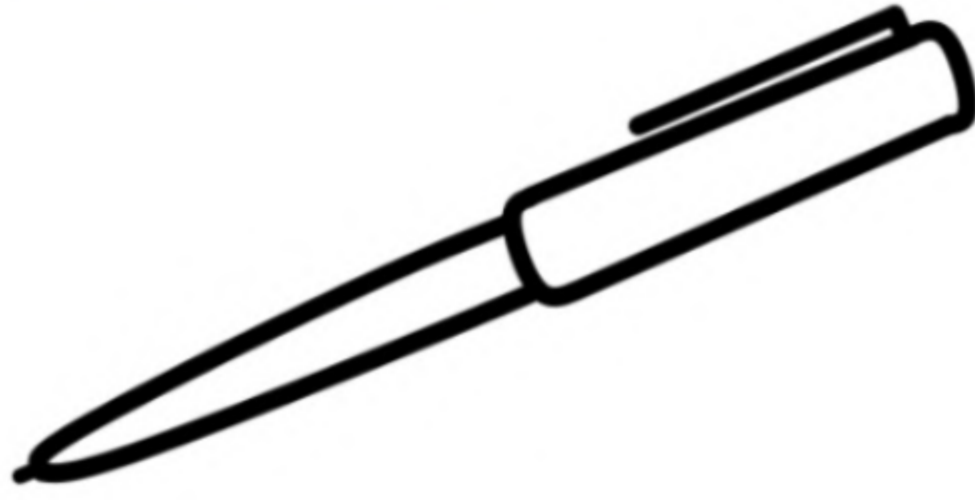




GH~~OST~~BUSTERS

PARANORMAL ACTIVITY BOOK

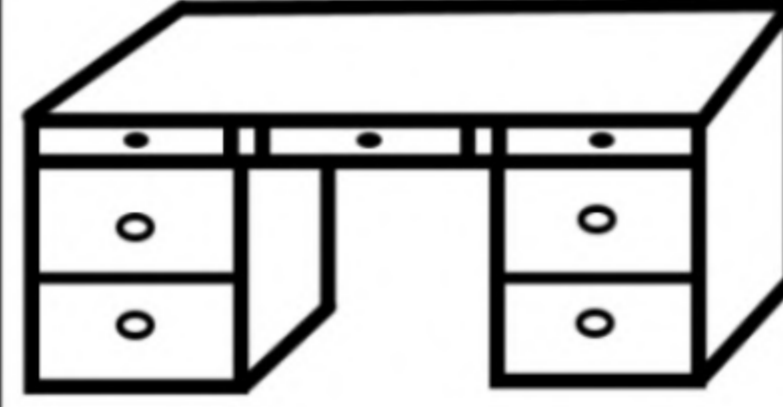
HELP JANINE CORRECTLY LABEL ALL OF HER OFFICE EQUIPMENT



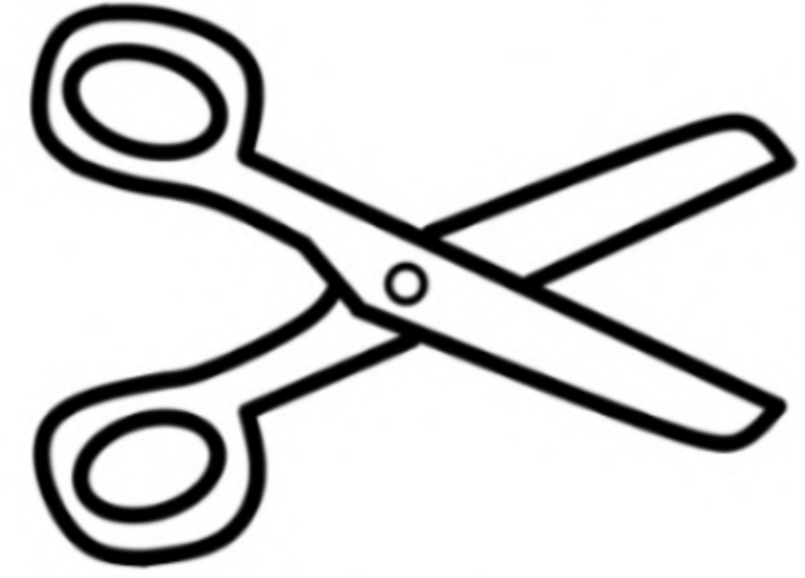
STAPLER
PEN
COMPASS



PENCIL
QUIZ
MAP



PAPERCLIP
PAINT
DESK



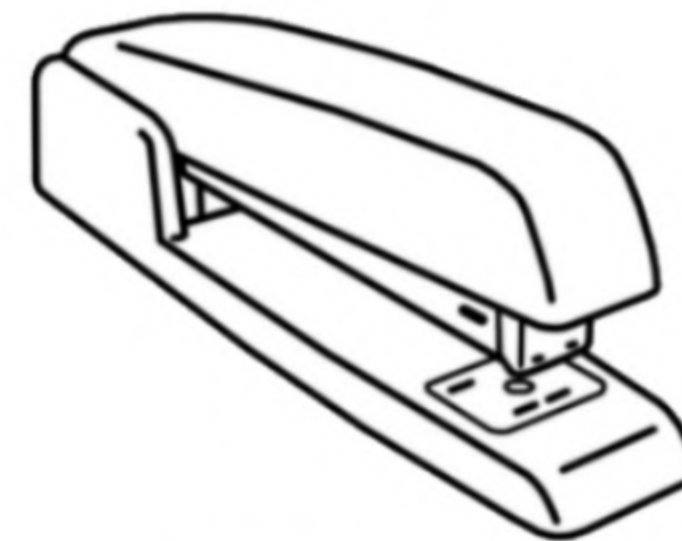
SCISSORS
PEN
KNIFE



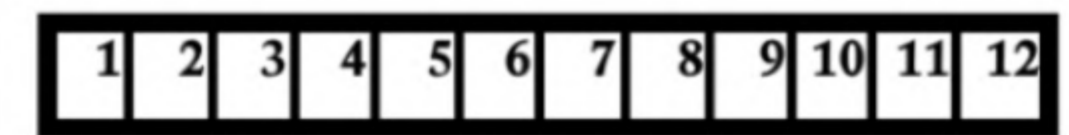
CHALK
BROOM
CLOCK



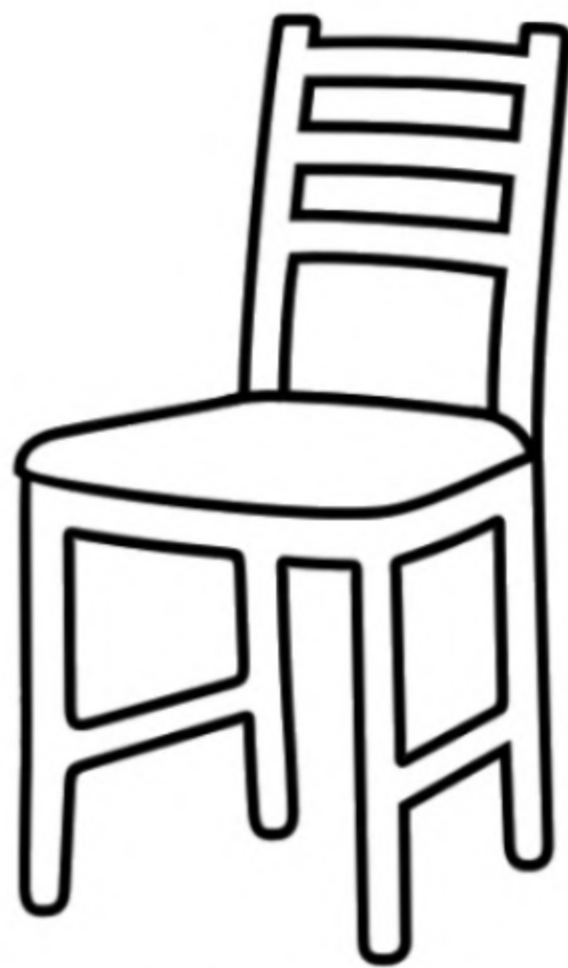
PLANT
CHAIR
RULER



PHONE
STAPLER
TABLE



RULER
SCISSORS
MARKER



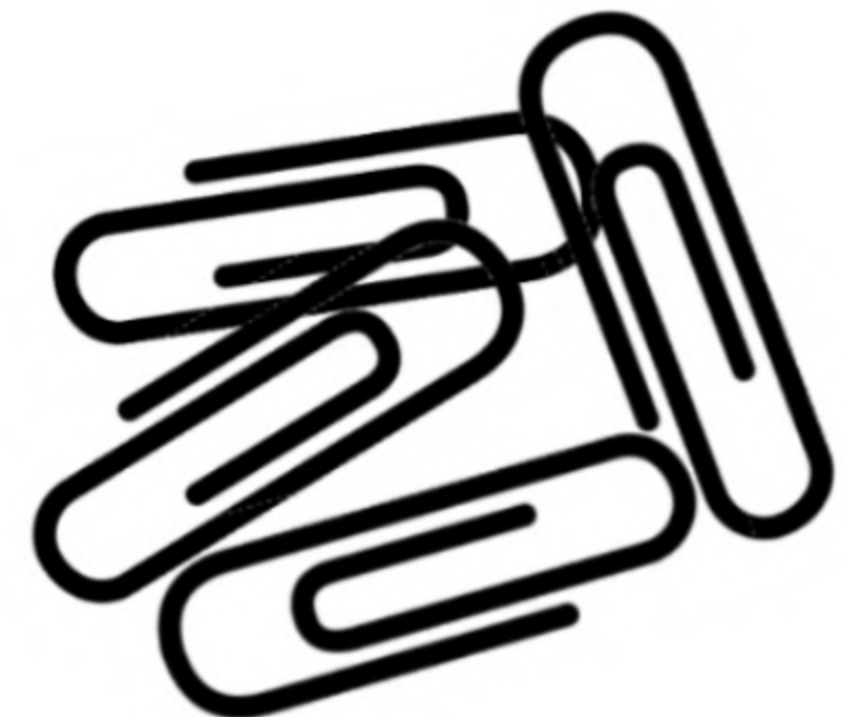
RULER
CHAIR
PENCIL



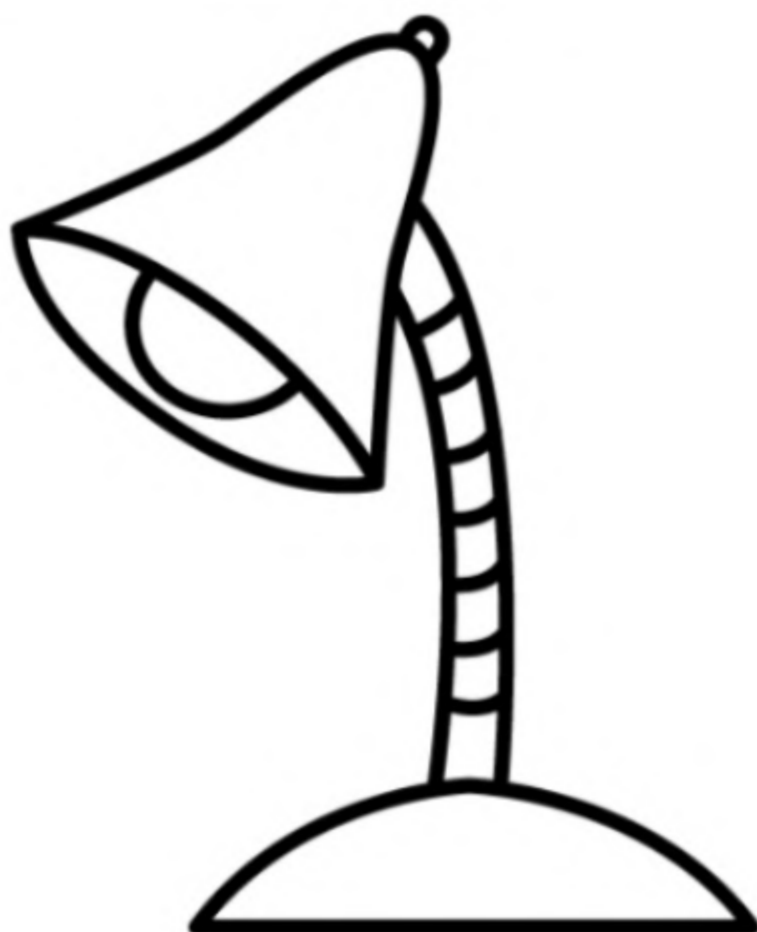
CALCULATOR
CHAIR
COMPUTER



BROOM
CRAYON
BOOK



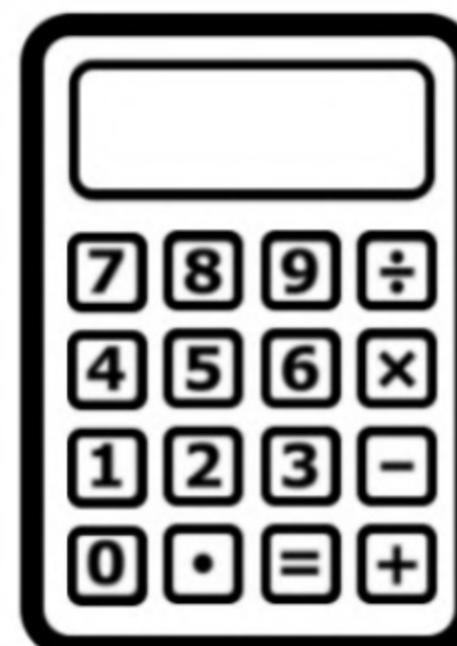
PLATES
RULER
PAPERCLIPS



DESK
LAMP
BOOK



BOOKS
MUG
PENCILS



CALCULATOR
COMPASS
CHAIR



TABLE
BROOMSTICK
TELEPHONE

GH~~OST~~BUSTERS

PARANORMAL ACTIVITY BOOK

CHOOSE THE CORRECT PREFIX TO CREATE NEW WORDS

MIS

NON

CO

ANTI

EX

_____ CLUDE

_____ UNDERSTOOD

_____ PLAIN

_____ PERIMENT

_____ ORDINATE

_____ FREEZE

_____ OPERATION

_____ BIOTICS

_____ FORTUNE

_____ PECTATION

_____ EXISTENT

_____ INFORMED



GHOSTBUSTERS

PARANORMAL ACTIVITY BOOK

SPENGLER

STANTZ

VENKMAN

ZEDDEMORE

**DRAW YOURSELF AN OFFICIAL
GHOSTBUSTERS NAME TAG**

